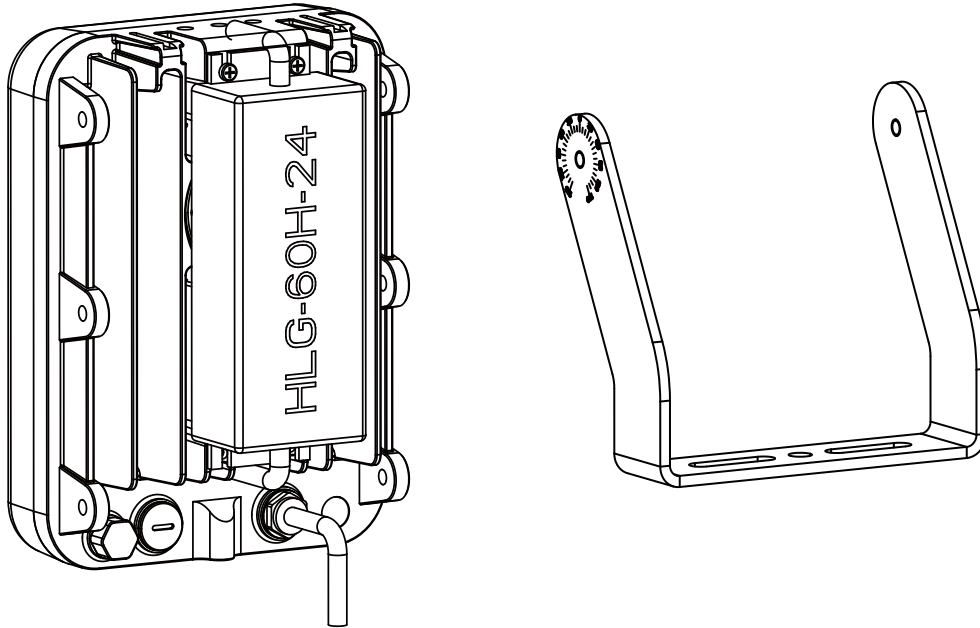


LMA-B03 Installation Guide

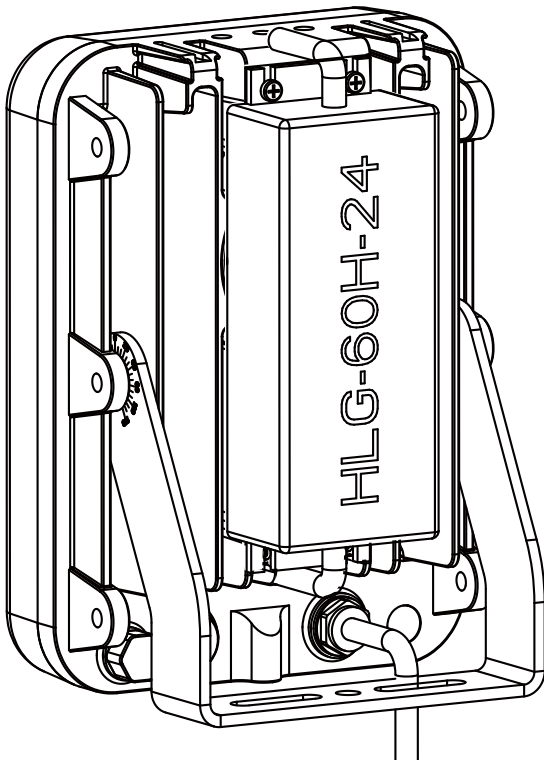
Rev. 1.1

No. of illuminators	Applicable scenario:	Adjustable Angle	Included screws
1	When a surge protector is mounted	Yes	Hex socket: M6x1 x2

1. The longer LMA-B03 U bracket applies when a surge protector is mounted on the back of a illuminator



2. Secure the B03 bracket to the preferred mounting position.



This page is intentionally left blank.