

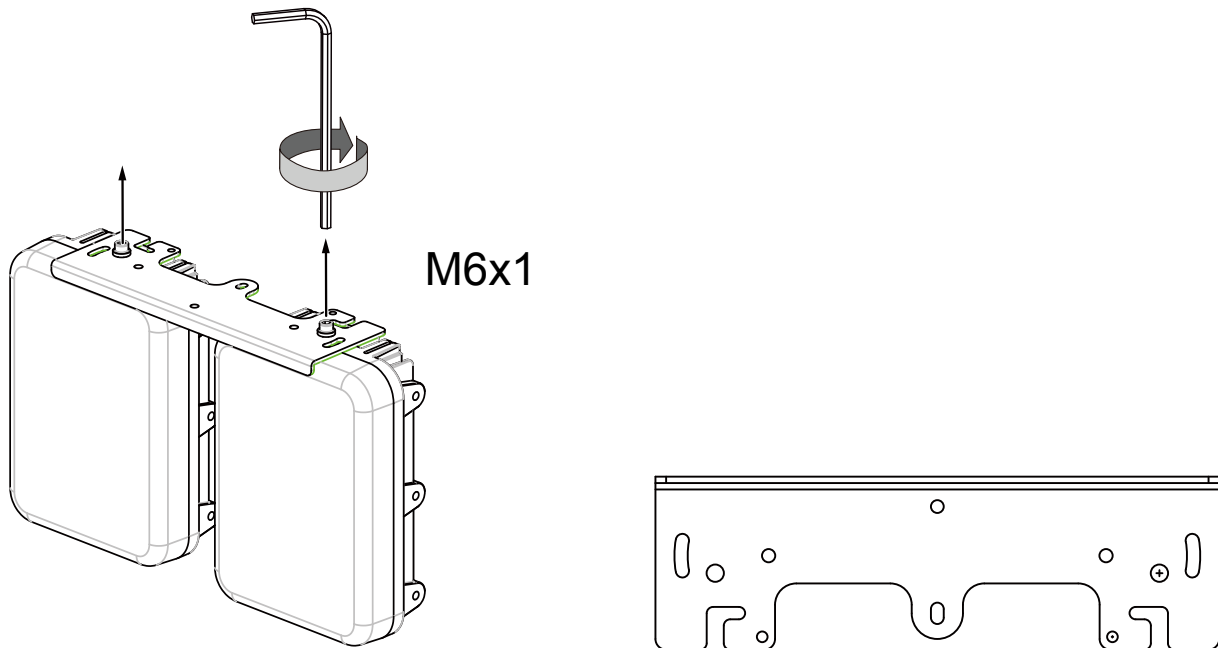
LMA-B02 Installation Guide

Rev. 1.1

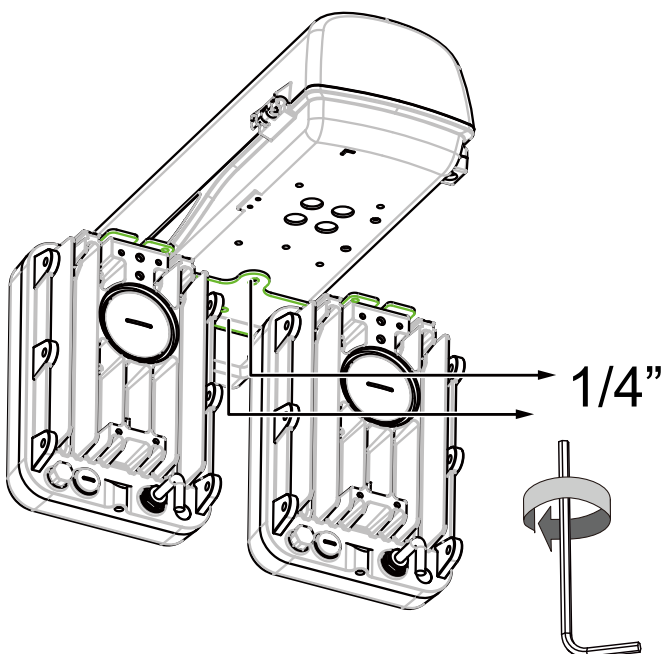
	No. of illuminators	Applicable enclosures:	Adjustable Angle	Included screws
Type 1	2	AE-237, AE-241, AE-242	N/A	Hex socket: M6x1 x4/6, 1/4" x 2, washer x 2
Type 2	2	AE-237, AE-241, AE-242	Yes, w/ U bracket	Hex socket: M6x1 screws x 8/12, M6x1 nuts x 4/6, 1/4" screws x2, washer x 2

Type 1 Installation (w/o U-bracket):

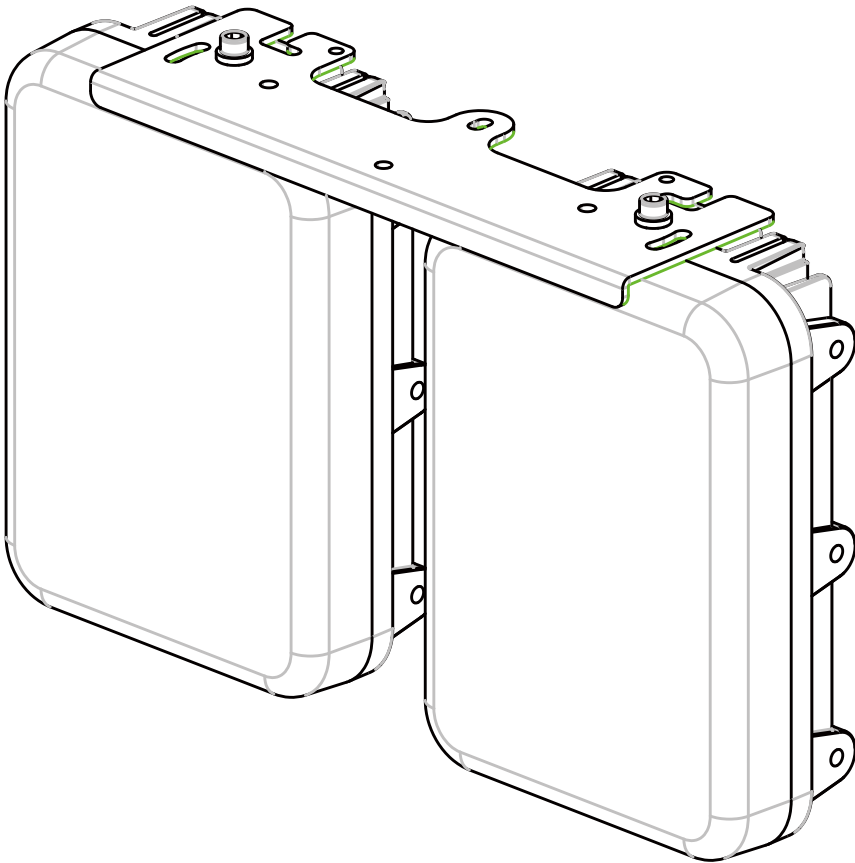
1. Secure the LMA-B02 to two illuminators.



2. Secure the illuminator to the bottom of enclosure.

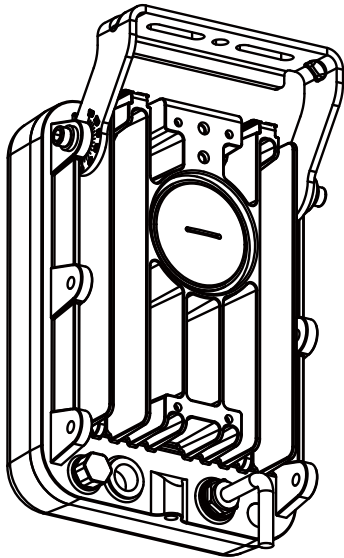


3. Use the different holes indicated below for installing 2 illuminators.

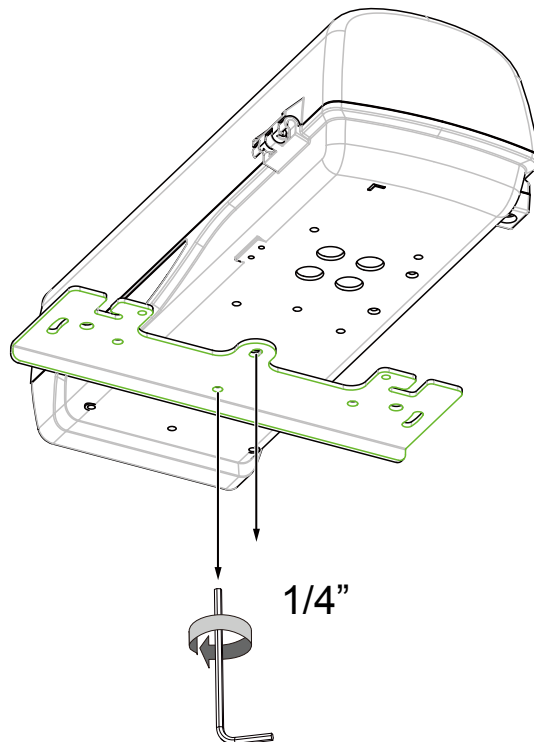


Type 2 Installation (w/ U-bracket):

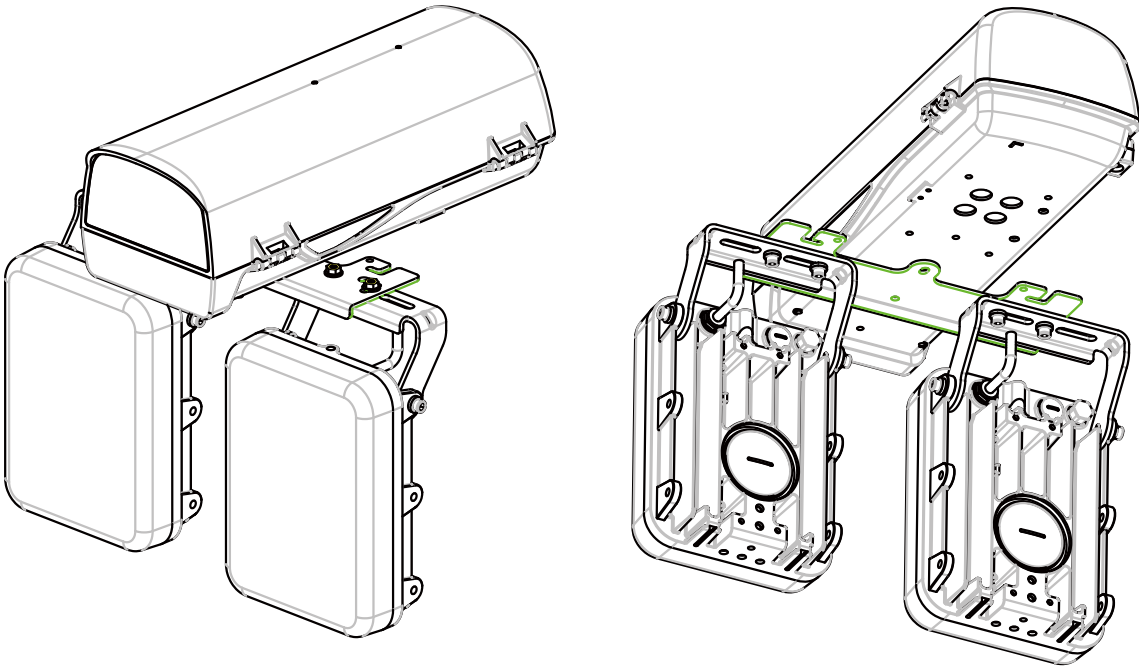
1. Install the U bracket to the illuminators using the M6x1 socket screws.



2. Secure the bracket to the bottom of the enclosure.



3. Secure two illuminators to the mounting bracket.



4. Adjust the illuminators' tilt angles if necessary.

This page is intentionally left blank.