

# PRODUCT DATASHEET

## BLD Series

### BLE 4ch PWM Dimmer



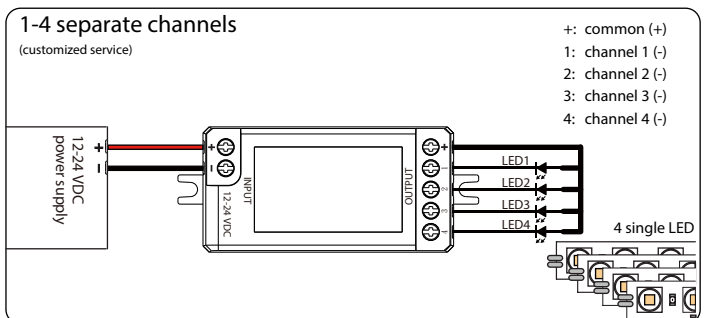
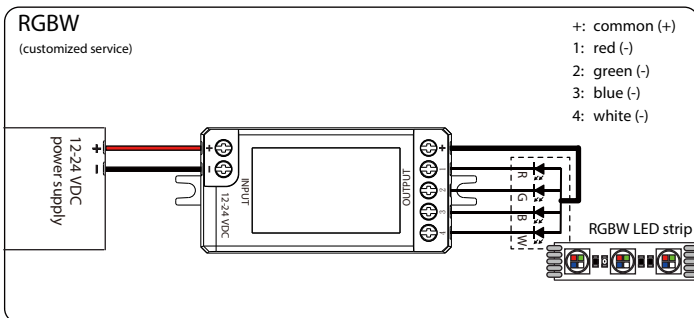
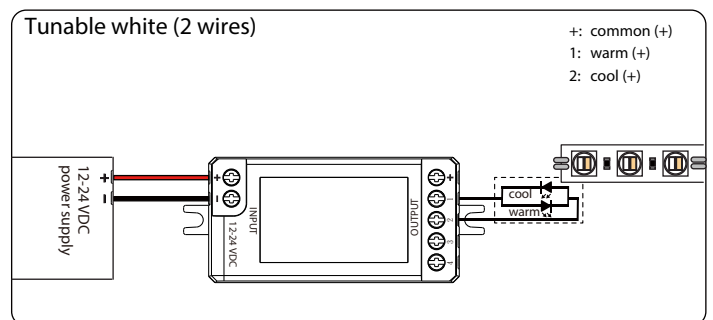
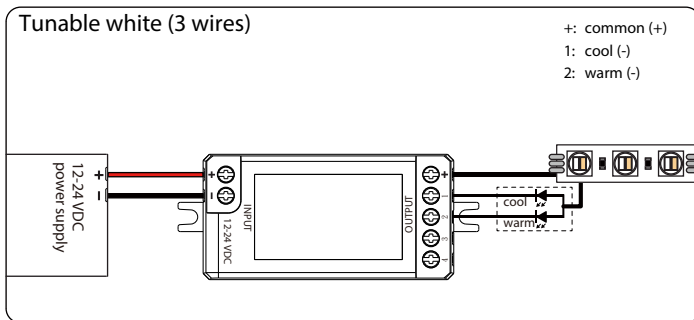
#### PRODUCT FEATURES

- 12-24 VDC power supply
- 6 A total maximum output current
- constant voltage LED load
- 4 channels control

#### PRODUCT ADVANTAGES

- BLE 5.0 mesh network
- Long range transmission up to 50 m
- 4 mode applications

#### WIRING DIAGRAM



## TECHNICAL DATA

Supply voltage DC	12 – 24 V
Max. input current	6 A
Typ. power input on stand-by	< 0.48 W
Output voltage DC	12 – 24 V
Output power (24 V DC)	144 W
Output power (12 V DC)	72 W
Max. output current (free allocation to channels)	6 A
Radio transceiver operating frequencies	2.402 – 2.48 GHz
Max. output power radio transceiver	+ 4 dBm
Ambient temperature $t_a$	-40 ... +45 °C
Storage temperature $t_s$	-40 ... +75 °C
Dimensions L x W x H	72 x 30 x 19 mm
Screw Torque Value	0.4 N·m
Suitable Electric Wire	0.5 ~ 1.5 mm
Type of protection	IP20

