

LA80 series

- Continuous Variable Angle Technology (CVA Tech)
- Motorized Variable Field of View 10° ~ 40°
- Adjustable Beam Angle up to 350 Meters
- High Intensity and Uniformity
- Weather-proof IP68- and Vandal-proof IK10-rated Housing
- Five-year Warranty



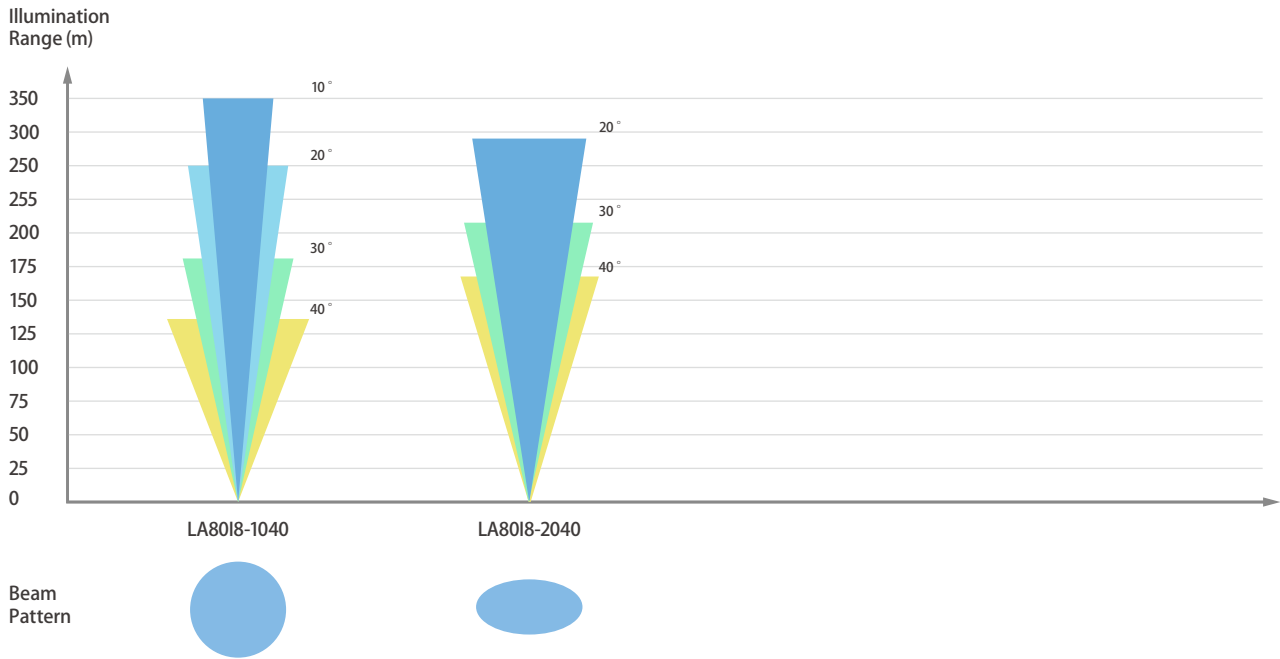
LA80 is a series of professional illuminators designed with LIDlight's Continuous Variable Angle Technology (CVA Tech), providing highly efficient intensity and uniform distribution to fit 10° ~ 40° FOV via motorized adjustable beam angles up to 350 meters. The series offers multiple options for outdoor and long-distance in many applications such as traffic LPR/ANPR, perimeter protection, industrial and many more.

LIDlight's CVA Tech is an optical technology solution for surveillance cameras, which optics design is founded on a principle of high energy efficiency. By adopting fewer illuminators, CVA tech can realize impressive gains in both brightness and energy saving, will result in an overall reduction in total system cost.

Benefit and feature

- Great image quality with high intensity and uniformity
- Improve Video Content Analysis, reduce false alarm
- Flexible for different scenario
- Easy installation by LIDlight Alignment Kit and motorized control
- Cost-effective by CVA Tech with high energy utilize
- Incredible reliability in extreme weather

Illumination Map



Technical Specifications

Model	LA8018-1040	LA8018-2040
Product Information		
Beam Angle(Horizontal)	10° ~ 40°	20° ~ 40°
Distance	140 ~ 350 m (459 ~ 1148 ft)	170 ~ 280 m (557 ~ 918 ft)
Beam Pattern	Circular	Elliptical
LED Array	24 pcs LED	
Wavelength	850nm	
External Input	IR ON/OFF control	
External Output	Day/Night switching	
Automatic IR On/Off	Controlled by Light Sensor	
Light Sensor Sensitivity	1/5/10/30(default)/50/100% (Max. 1000 Lux) (accessed via CaMate remote/RS-485 control)	
Adjustable IR Power	20% ~ 100 % (accessed via CaMate remote/RS-485 control)	
General		
Power Input	24 VDC ±10%, 24 VAC(50/60Hz) ±10%	
Power Consumption	Max. 90W	
Operating Temperature	-40 °C ~ +50 °C (-104 °F ~ +122 °F)	
Working Temperature	-50 °C ~ +50 °C (-122 °F ~ +122 °F)	
Dimensions	220 x 160 x 73 mm (8.6 × 6.3 × 2.9 inch)	
Weight	2.1 kg	

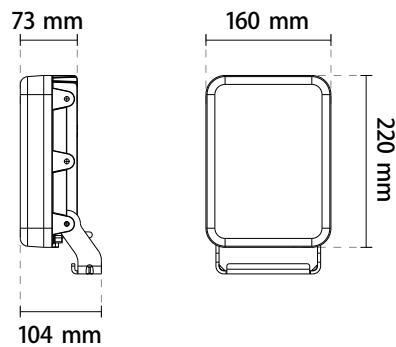
Technical Specifications

Model	LA8018-1040	LA8018-2040
Cable Length	0.75 m (2.46 ft) UL AWM	
Casing	IP68, IK10	
Safety Certifications	EN50130-4, CE: EN61000-6-4, FCC Class A, IEC/EN60529	
Humidity	90%	
Warranty	5 years	

Included Accessories

Bracketry	U-Type Bracket (134 × 34 × 81.5 mm)
Remote controller	
Cable Gland	Thread Cable Gland Body for 3/8" Conduits

Dimensions



Why LIDlight?

LIDlight is expert of lighting and mechatronics design, we Liberate the light from Innovation Design. Our vision is to make the light beyond illumination and help people worldwide to reach success in the most effective and efficient way.



Lighting expert



Mechtronics expert



Innovation



Client Success



3F., No.192 Liancheng Rd., Zhonghe Dist., New Taipei City 235, Taiwan (R.O.C.)

T: +886-2-82455182 E: Service@lidlight.com W: www.lidlight.com