

LM48 series

- Continuous Variable Angle Technology (CVA Tech)
- Variable Field of View 10° ~ 180°
- Adjustable Beam Angle up to 250 Meters
- High Intensity and Uniformity
- Weather-proof IP68- and Vandal-proof IK10-rated Housing
- Five-year Warranty



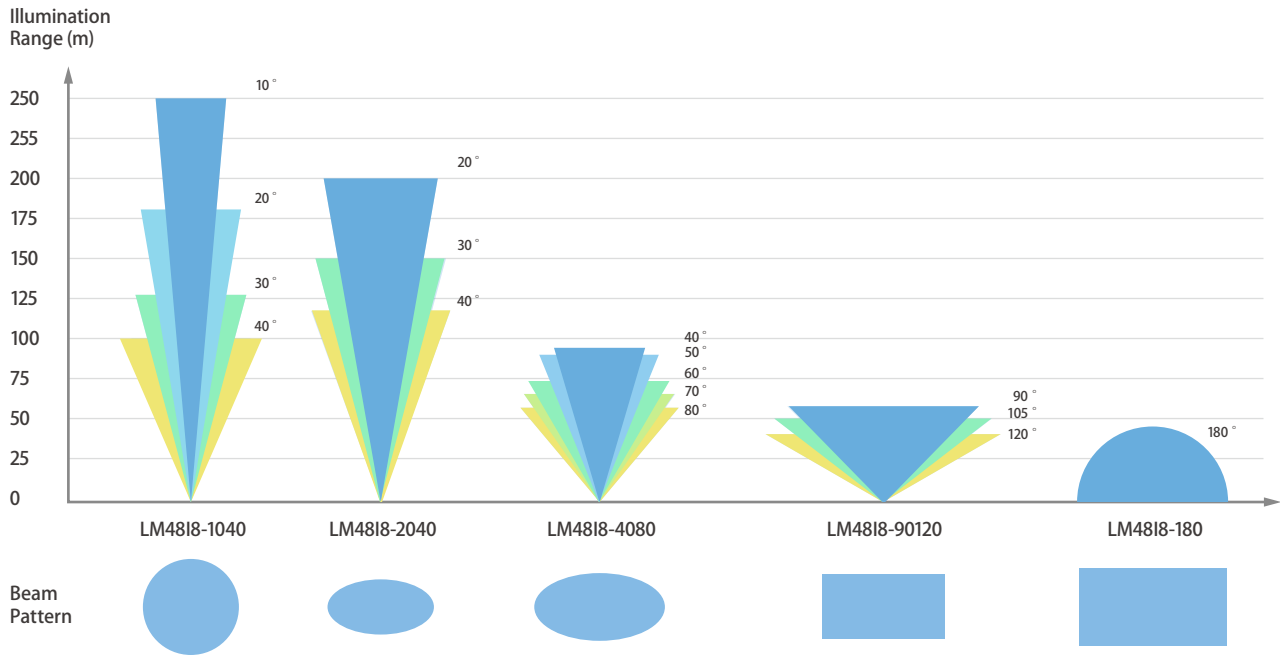
LM48 is a series of professional illuminators designed with LIDlight's Continuous Variable Angle Technology (CVA Tech), providing highly efficient intensity and uniform distribution to fit 10° ~ 180° FOV via adjustable beam angles up to 250 meters. The series offers multiple options for outdoor and long-distance in many applications such as traffic LPR/ANPR, airports, parking lots and many more.

LIDlight's CVA Tech is an optical technology solution for surveillance cameras, which optics design is founded on a principle of high energy efficiency. By adopting fewer illuminators, CVA tech can realize impressive gains in both brightness and energy saving, will result in an overall reduction in total system cost.

Benefit and feature

- Great image quality with high intensity and uniformity
- Improve Video Content Analysis, reduce false alarm
- Flexible for different scenario
- Easy installation by LIDlight Alignment Kit
- Cost-effective by CVA Tech with high energy utilize
- Incredible reliability in extreme weather

Illumination Map



Technical Specifications

Model	LM4818-1040	LM4818-2040	LM4818-4080	LM4818-90120	LM4818-180
Product Information					
Beam Angle(Horizontal)	10° ~ 40°	20° ~ 40°	40° ~ 80°	90° ~ 120°	180°
Distance	100 ~ 250 m (328 ~ 820 ft)	120 ~ 200 m (394 ~ 656 ft)	60 ~ 90 m (197 ~ 295 ft)	45 ~ 55 m (148 ~ 180 ft)	40 m (131 ft)
Beam Pattern	Circular	Elliptical	Elliptical	Rectangular	Rectangular
LED Array	24 pcs LED				
Wavelength	850nm				
External Input	IR ON/OFF control				
External Output	Day/Night switching				
Automatic IR On/Off	Controlled by Light Sensor				
Light Sensor Sensitivity	1/5/10/30(default)/50/100% (Max. 1000 Lux) (accessed via CaMate remote/RS-485 control)				
Adjustable IR Power	20% ~ 100 % (accessed via CaMate remote/RS-485 control)				
General					
Power Input	24 VDC ±10%, 24 VAC(50/60Hz) ±10%				
Power Consumption	Max. 48W				
Operating Temperature	-40 °C ~ +60 °C (-104 °F ~ +140 °F)				
Working Temperature	-50 °C ~ +60 °C (-122 °F ~ +140 °F)				
Dimensions	220 x 160 x 73 mm (8.6 × 6.3 × 2.9 inch)				
Weight	2.1 kg				

Technical Specifications

Model	LM4818-1040	LM4818-2040	LM4818-4080	LM4818-90120	LM4818-180
Cable Length	0.75 m (2.46 ft) UL AWM				
Casing	IP68, IK10				
Safety Certifications	EN50130-4, CE: EN61000-6-4, FCC Class A, IEC/EN60529				
Humidity	90%				
Warranty	5 years				

Included Accessories

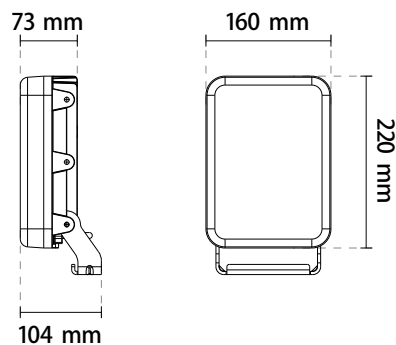
Bracketry	U-Type Bracket (134 × 34 × 81.5 mm)
Cable Gland	Thread Cable Gland Body for 3/8" Conduits

Optional Parts

Ordering Information - Optional LED Source (Power Input 24V DC/AC ±10%)

White LED 5000K	LM48W5-1040	LM48W5-2040	LM48W5-4080	LM48W5-90120	—
-----------------	-------------	-------------	-------------	--------------	---

Dimensions



Why LIDlight?

LIDlight is expert of lighting and mechatronics design, we Liberate the light from Innovation Design. Our vision is to make the light beyond illumination and help people worldwide to reach success in the most effective and efficient way.



Lighting expert



Mechtronics expert



Innovation



Client Success



3F., No.192 Liancheng Rd., Zhonghe Dist., New Taipei City 235, Taiwan (R.O.C.)

T: +886-2-82455182 E: Service@lidlight.com W: www.lidlight.com